

# Kubic 760

Collection: Elevate



## Stainless steel double bowl sink w tap landing

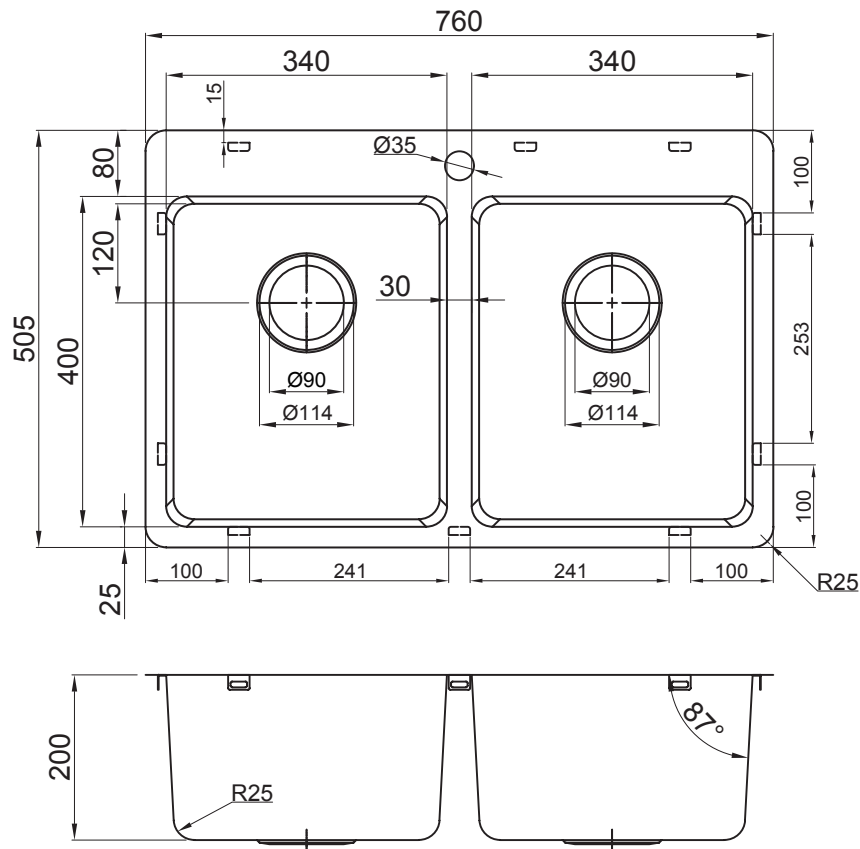
- Premium 304 grade stainless steel, 1.2 mm thick
- Soft, minimalist architectural aesthetic
- Silk finish, superior rim finish
- Designed for abovemount installation
- Deep-large capacity bowls
- Easy to clean corners, 25 mm radius
- Sound deadening
- Stainless steel designer basket wastes
- Accessories available

### Order codes

192930	Kubic 760, 1 taphole
192931	Kubic 760, no taphole
192970	Kubic 760, 1 taphole, with overflow
192971	Kubic 760, no taphole, with overflow

### Product details

SUMMARY	Double bowl stainless steel sink with tap landing
MATERIAL	304 grade stainless steel, 1.2 mm thick
WASTE	Waste offset, includes basket waste
OVERFLOW	Optional overflow
BOWL SIZE	Each bowl inner: 340 x 400 mm, 200 mm deep
CAPACITY	25 litres each bowl estimated



# SEIMA

kitchen + laundry + bathroom ware

seima.com.au

### Please note

- All measurements are in millimetres.
- Dimensions are nominal and subject to normal manufacturing variations.
- Always use the actual product to verify cutout.
- Use silicone sealant. Do not use epoxy type adhesives.
- Specifications may vary without notice as part of our continuous improvement practices.